

Specifications

NKLA74

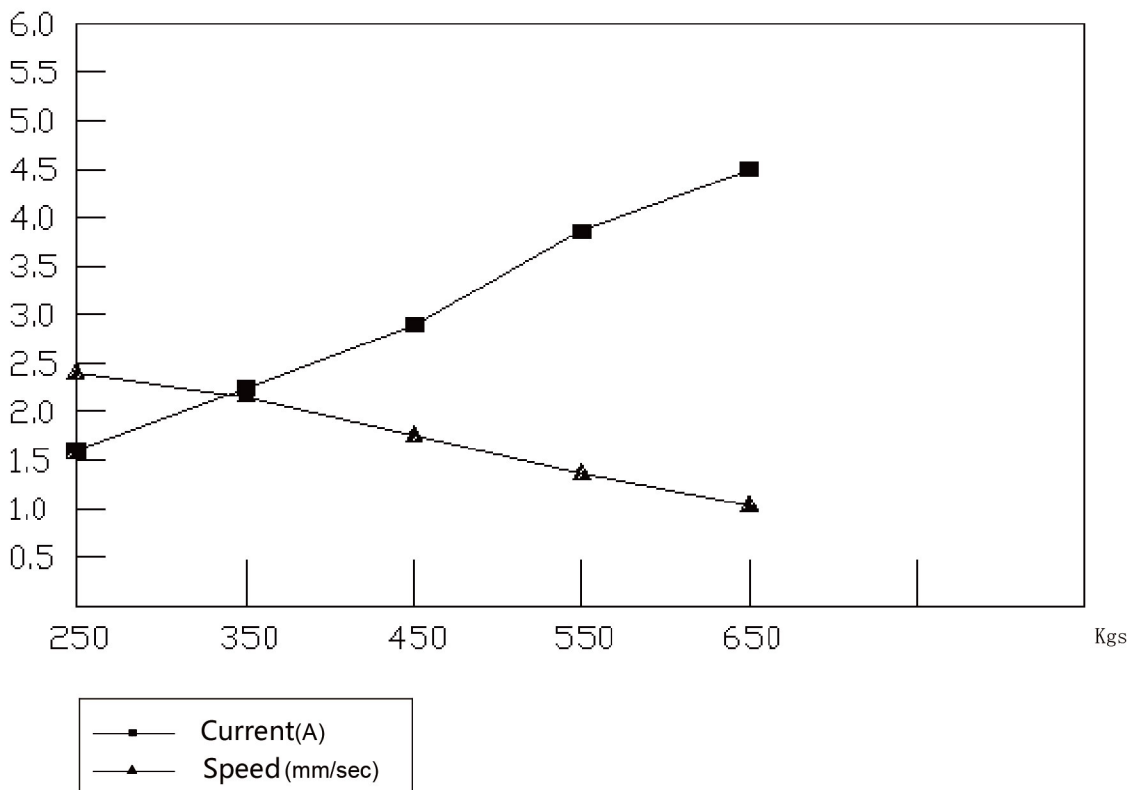
- * Stroke Length: 50~1000mm
- * Color: Black
- * Limit Switch: built-in
- * Duty Cycle: 20%
- * Operating Temperature: -26°C~+65°C
- * Signal Feedback: Reed Switch
- * Material: Metal gear; Copper nut
- * Max push load: 4500N
- * Max static load: 15000N
- * Rated load: 6000N
- * Input: 12/24/36VDC
- * Speed with load: 3mm/s
- * Current with load: $\leq 3.5A$



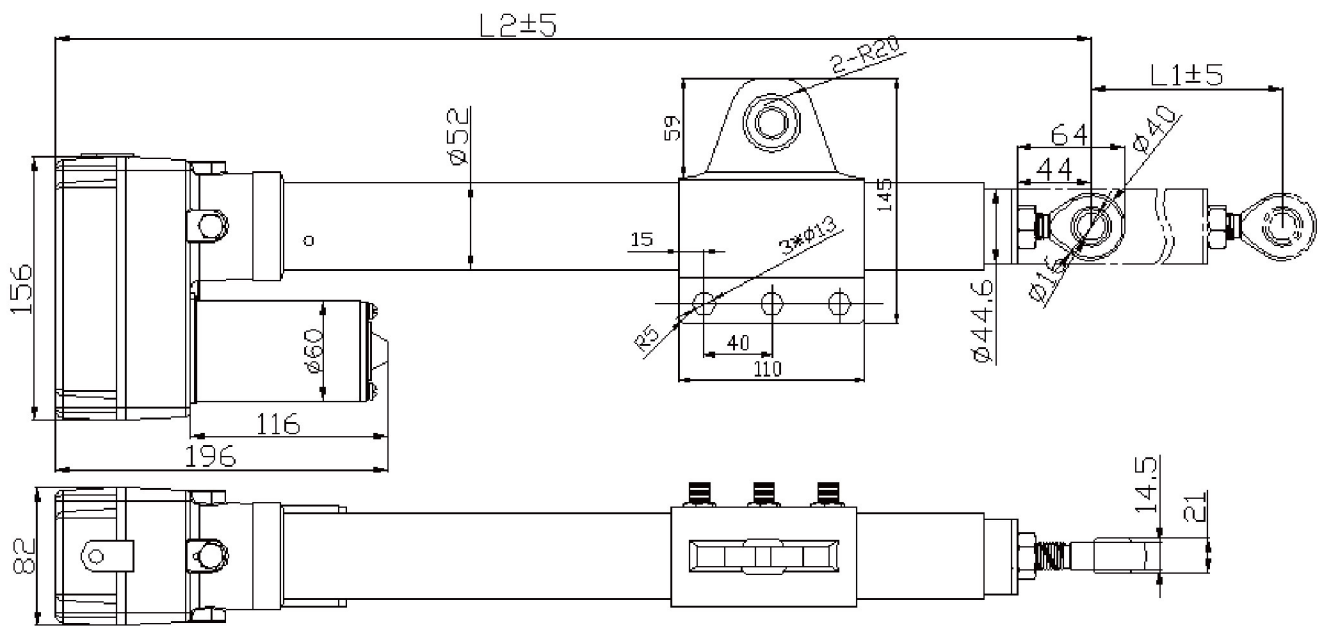
Load and Speed

Load-Current/Speed (NKLA72-24V)

A/mm/s



Dimensions



Installation distance L2	560mm	660mm	760mm	910mm	1210mm
Stroke L1	10"	14"	18"	24"	36"